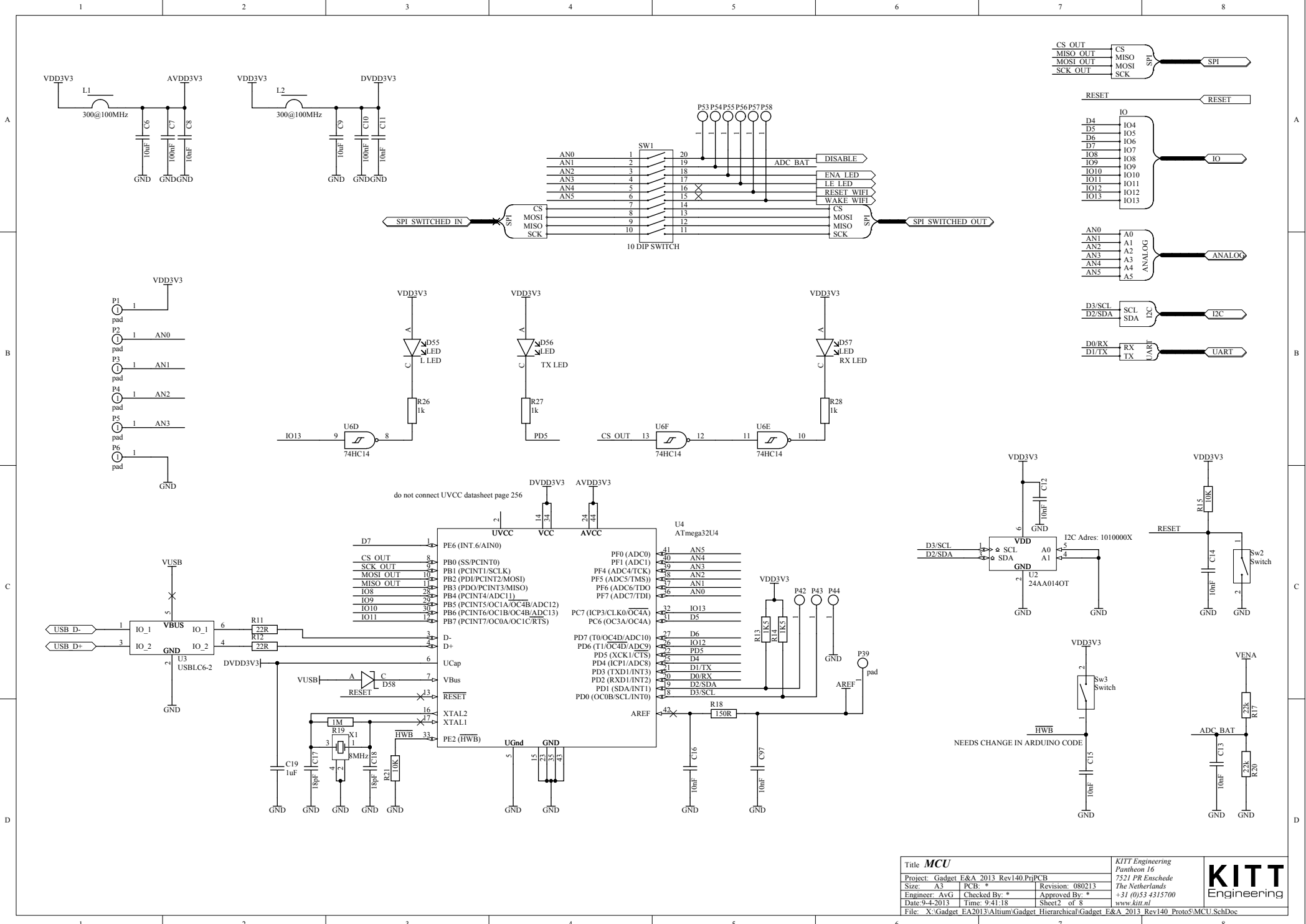


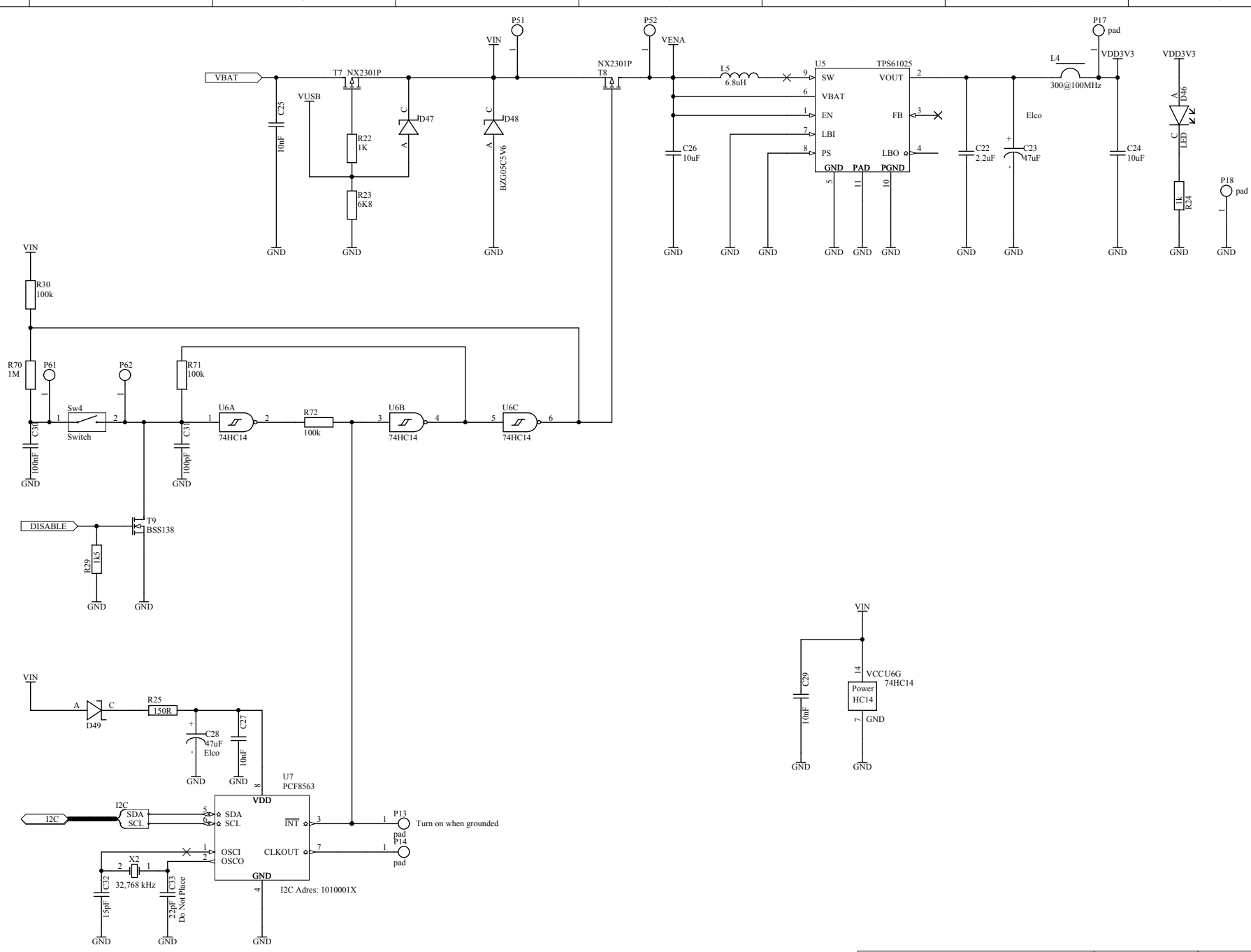
Title Overview		KITTEngineering Pantheon 16 7521 PR Enschede The Netherlands +31 (0)53 4315700 www.kitt.nl	
Project: Gadget E&A 2013 Rev140.PriPCB	PCB: *	Revision: 080213	
Size: A4	Checked By: *	Approved By: *	
Engineer: AvG	Date: 9-4-2013	Time: 9:41:18	Sheet 1 of 8
File: X:\Gadget EA2013\Altium\Gadget Hierarchical\Gadget E&A 2013 Rev140 Proto5\Overview.SchDoc			



U_Release_Notes
Release_Notes.SchDoc

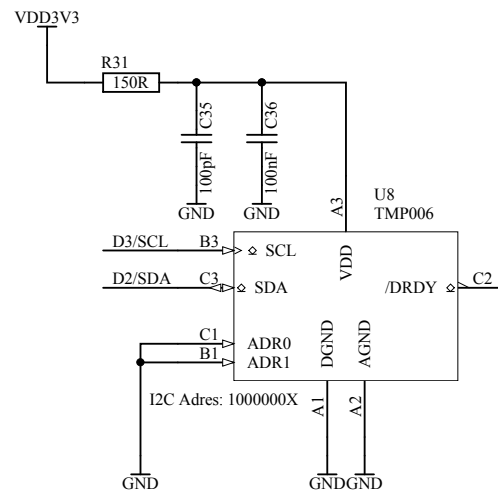
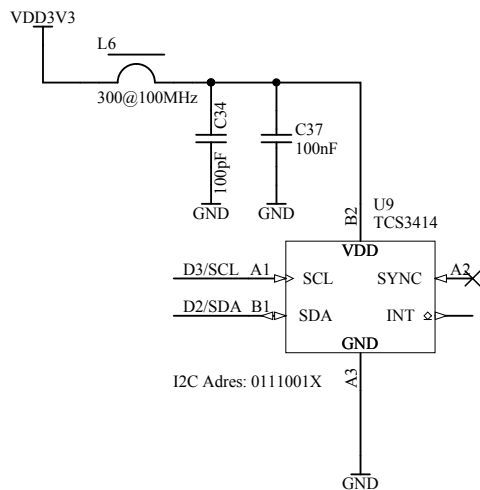
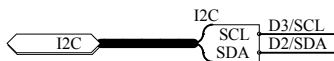
CE
CE LOGO



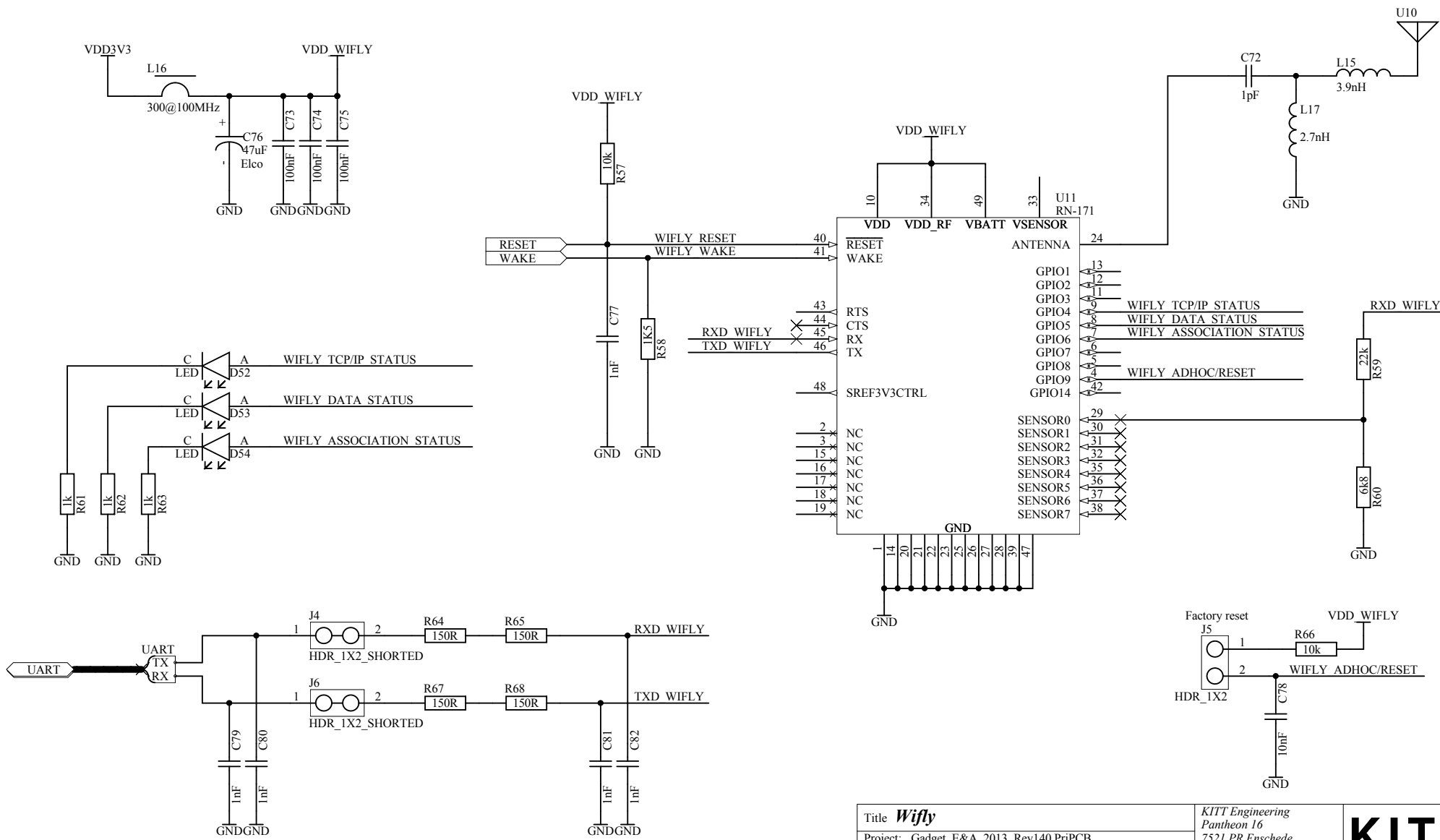


Title PSU		KIT Engineering Pantheon 16	
Project: Gadget E&A 2013 Rev140.PriPCB		7521 PR Enschede	
Size: A3	PCB: *	Revision: 080213	The Netherlands
Engineer: AvG	Checked By: *	Approved By: *	+31 (0)53 4315700
Date: 9-4-2013	Time: 9:41:18	Sheet3 of 8	www.kitt.nl
File: X:\Gadget EA2013\Altium\Gadget Hierarchical\Gadget E&A 2013 Rev140 Proto5\PSU\SchDoc			



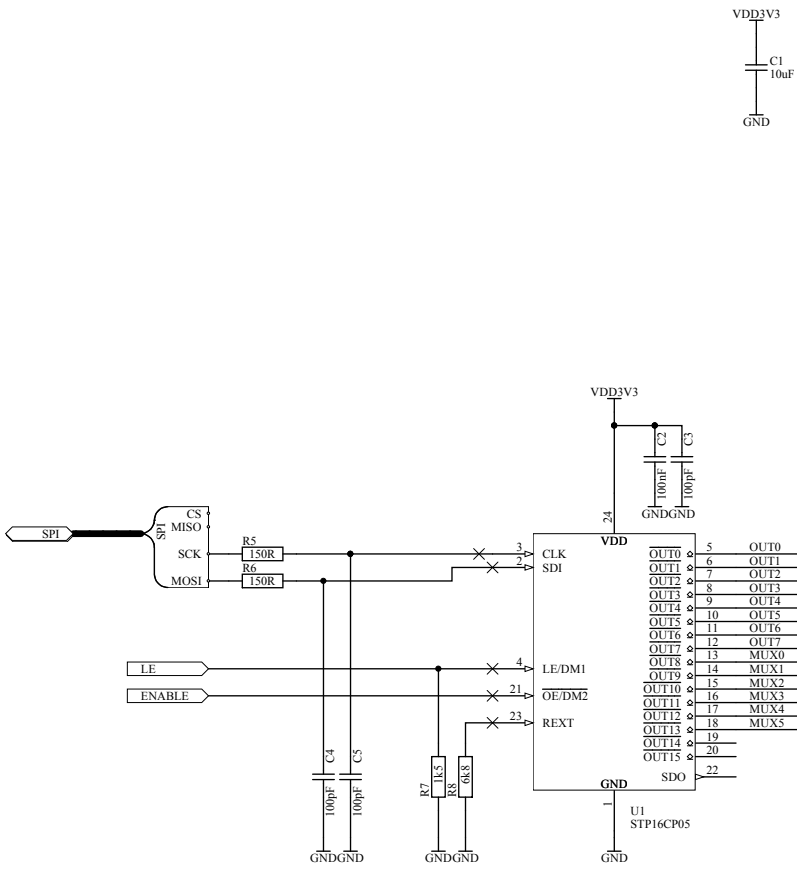


Title Sensors			KITT Engineering Pantheon 16 7521 PR Enschede The Netherlands +31 (0)53 4315700 www.kitt.nl
Project: Gadget E&A 2013 Rev140.PriPCB			
Size: A4	PCB: *	Revision: 080213	
Engineer: AvG	Checked By: *	Approved By: *	
Date: 9-4-2013	Time: 9:41:19	Sheet 4 of 8	
File: X:\Gadget EA2013\Altium\Gadget Hierarchical\Gadget E&A 2013 Rev140 Proto5\Sensors.SchDoc			

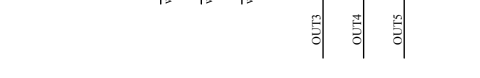
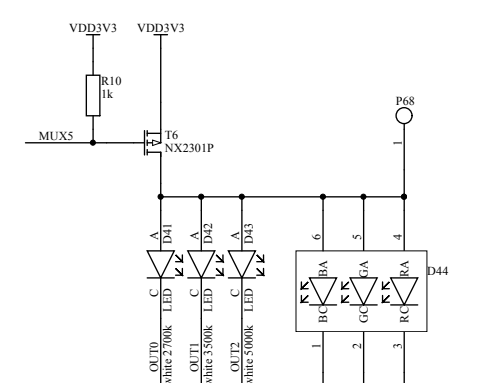
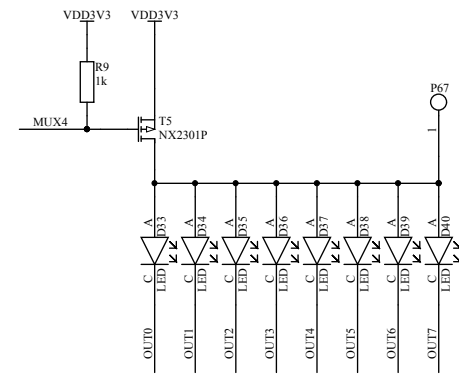
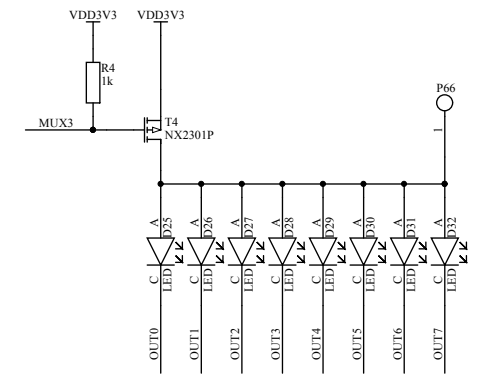
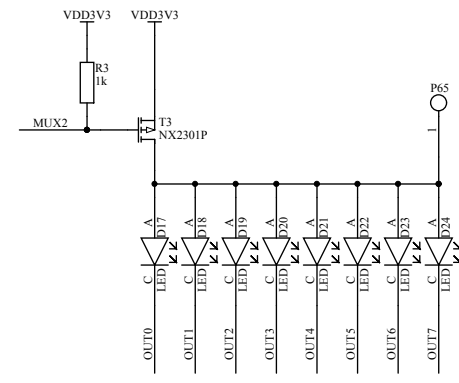
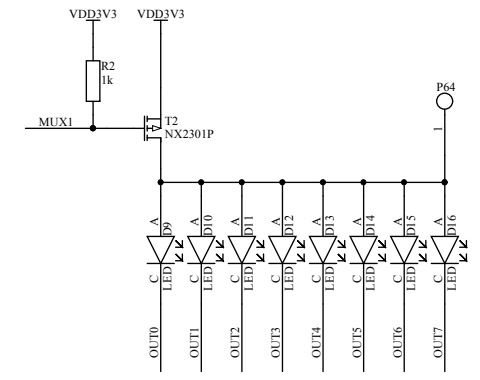
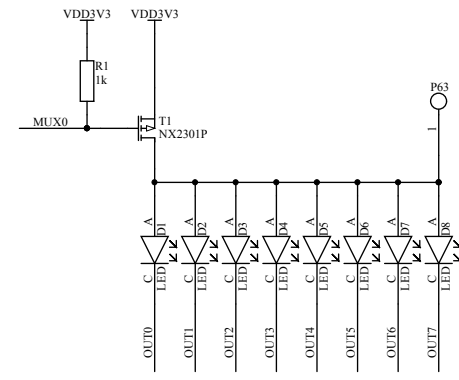
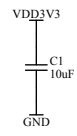


Title Wifly		KITTEngineering Pantheon 16 7521 PR Enschede The Netherlands	
Project: Gadget E&A 2013 Rev140.PriPCB		+31 (0)53 4315700 www.kitt.nl	
Size: A4	PCB: *	Revision: 080213	
Engineer: AvG	Checked By: *	Approved By: *	
Date: 9-4-2013	Time: 9:41:19	Sheet 5 of 8	
File: X:\Gadget EA2013\Altium\Gadget		Hierarchical\Gadget E&A 2013 Rev140 Proto5\Wifly.SchDoc	



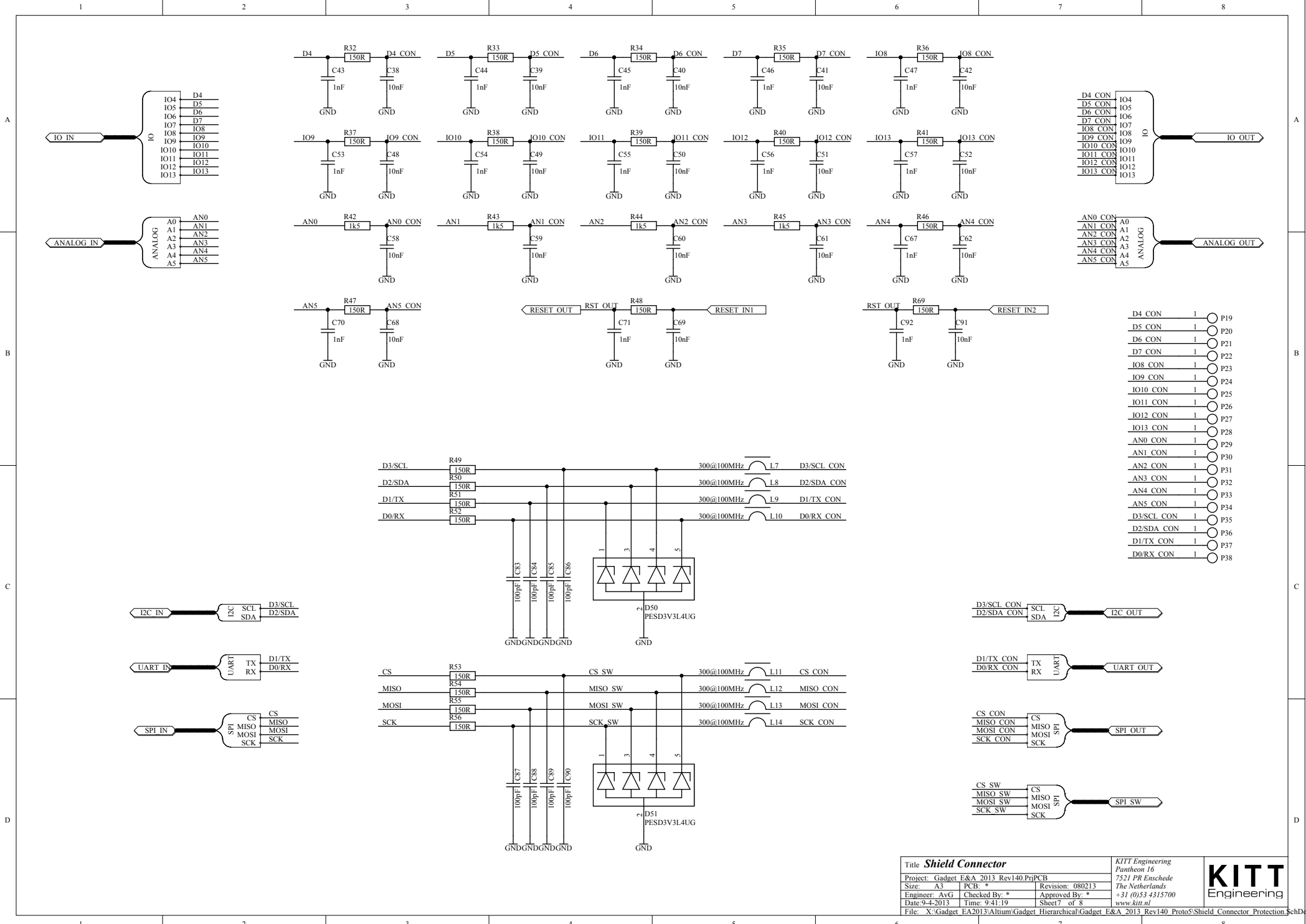


- OUT0 1 P69
- OUT1 1 P70
- OUT2 1 P71
- OUT3 1 P72
- OUT4 1 P73
- OUT5 1 P74
- OUT6 1 P75
- OUT7 1 P76
- MUX0 1 P78
- MUX1 1 P79
- MUX2 1 P80
- MUX3 1 P81
- MUX4 1 P82
- MUX5 1 P82



Title LED Array		KITT Engineering Pantheon 16 7521 PR Enschede The Netherlands	
Project: Gadget E&A 2013 Rev140.PriPCB	PCB: *	Revision: 080213	+31 (0)53 4315700
Size: A3	Checked By: *	Approved By: *	www.kitt.nl
Date: 9-4-2013	Time: 9:41:19	Sheet: 6 of 8	
File: X:\Gadget_EA2013\Altium\Gadget_Hierarchical\Gadget_E&A_2013_Rev140_Protos\LED_Array_SchDoc			





D4 CON	1	P19
D5 CON	1	P20
D6 CON	1	P21
D7 CON	1	P22
IO8 CON	1	P23
IO9 CON	1	P24
IO10 CON	1	P25
IO11 CON	1	P26
IO12 CON	1	P27
IO13 CON	1	P28
AN0 CON	1	P29
AN1 CON	1	P30
AN2 CON	1	P31
AN3 CON	1	P32
AN4 CON	1	P33
AN5 CON	1	P34
D3/SCL CON	1	P35
D2/SDA CON	1	P36
D1/TX CON	1	P37
D0/RX CON	1	P38

△ Known Issues:


Gadget_E&A_2013_Rev110_Proto2:
-RX LED is on when the print is off

Gadget_E&A_2013_Rev100_Proto1:
-Footprint 16MHz crystal is wrong
-VUSB stays high after removing USB cable
-On/Off button doesnt function 100%
-I2C pullup resistor values need recalculation
-Change white LED footprint

△ Change Log:

Gadget_E&A_2013_Rev120_Proto3:
-Fixed RX LED on when print was off

Gadget_E&A_2013_Rev110_Proto2:
-Update On/Off button logic to function 100% of the time
-Added TX LED, RX LED And L LED to the schematic
-Changed schematic symbol for 8MHz crystal
-Changed USB footprint to accomodate UNS-B05-SB01_2-55_E
-Changed I2C pull-up resistors to 1k5
-Changed footprint for white LEDs
-Added workaround for VUSB problem
-Added pin 1 marking for USB tvs array and TCS3414
-Reduced pastemask of TMP006 to 0.25 mm
-Changed esd protection on AREF
-Moved USB connector to the inside of the print ta facilitate production
-Changed footprint RGB LED to accomodate new LED
-Changed batteryholder to SMD
-Connected push button to hwb pin on mcu
-Added fiducials on bottom
-Added second batteryholder

Title Release Notes			<i>KITT Engineering</i> Pantheon 16 7521 PR Enschede The Netherlands +31 (0)53 4315700 www.kitt.nl	
Project: Gadget E&A 2013_Rev140.PriPCB				
Size: A4	PCB: *	Revision: 080213		
Engineer: *	Checked By: *	Approved By: *		
Date: 9-4-2013	Time: 9:41:19	Sheet 8 of 8		
File: X:\Gadget_EA2013\Altium\Gadget_Hierarchical\Gadget_E&A_2013_Rev140_Proto5\Release_Notes.SchDoc				